

3000 Series GigE Area Scan Camera

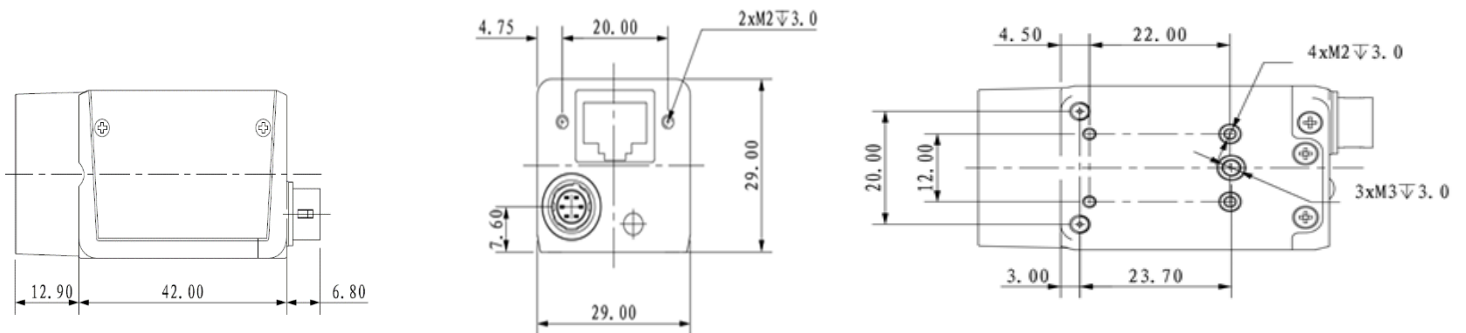
A3138MG000E

Product Features

- Gigabit Ethernet interface, providing 1Gbps bandwidth with a maximum transmission distance of 100m;
- 128MB on-board cache for data transmission or image resend;
- Support Software Trigger/Hardware Trigger/Free Run Mode;
- Support ISP functions including Sharpness/Denoising/Gamma/LUT/BlackLevel Correction/TargetBrightness/Contrast etc.;
- Support multiple image data formats output/ROI//Mirror, etc.;
- Conform to GigE Vision V2.0 protocol and GenICam standard;
- Support PoE power supply, DC 9V~24V wide voltage power supply;
- Conform to CE, FCC, RoHS;



Dimensions (mm)



Technical Specifications

Model Name	A3138MG000E
Sensor	SS
Sensor Type	1/2.7" CMOS
Shutter	Global
Resolution	1280 x 1024
Frame Rate	86.5
Bit Depth	10
Mono/Color	Mono
Pixel Size	4.0 x 4.0
Pixel	1.3MP
S/N Ratio	40dB
WDR	60dB
Image Format	Mono8/10/10Packed/12/12Packed
ROI	Support
White Balance	Not Support
Gain	1~32
Gamma	From 0 ~ 4, support LUT
Exposure Time	10 μ S~1S
Sync Mode	Software Trigger/Hardware Trigger/Free Run Mode
SPC	Support
User Setting	Support two sets of user-defined configurations
Cache	64MB
Port	GigE(PoE)
GPIO	1x 6 pin Hirose: 1x Opto-isolated input, 1x Opto-isolated output, 1 configurable input and output
Lens Mount	C-mount
Power Supply	PoE/ DC 9V~24V power supply via Hirose interface
Power Consumption	12V \approx 3.4W
Product Dimensions	29mm*29mm*42mm(not including lens mount and rear case connector)
Weight	88g
Working Environment	Storage: - 30°C~+80°C; Operation: - 30°C~+50°C

© 2021 IRAYPLE. All rights reserved. Design and specifications are subject to change without notice.
Pictures in the document are for reference only, and the actual product shall prevail.